

## Information sheet

# SensoForce Typ-A

### Eigenschaften

- > Sensor with thick-film technology
- > Changes voltage depending on pressure
- > Finger actuated force sensor

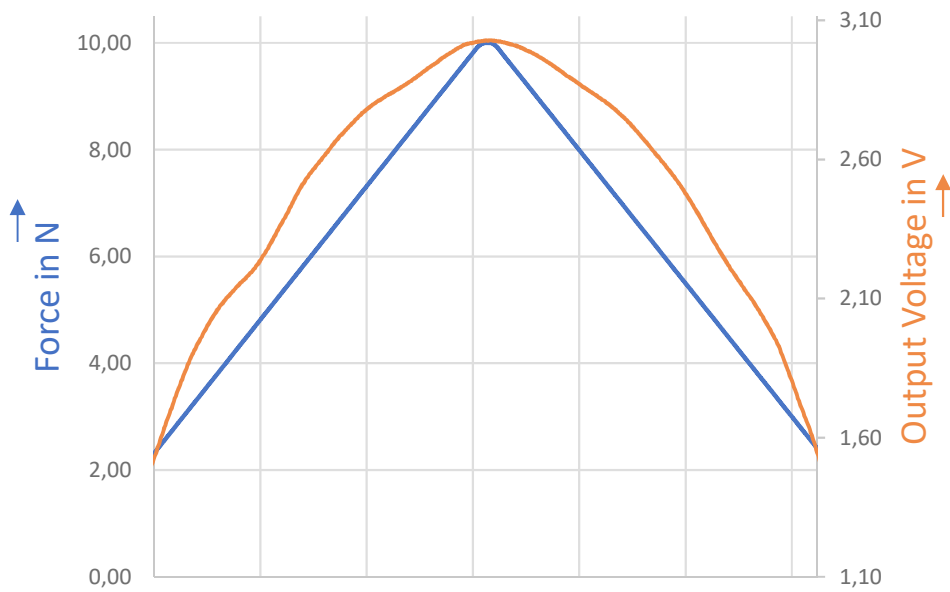


Type:	A
Measuring principle:	Thick-film FSR technology
Measuring parameters:	Force
Electrical contact:	Solder pads
Force actuation:	Rubber test finger (rubber actuator)
Supply voltage:	max. 5V
Shielding:	None
Temperature range:	-30 °C to +70 °C
Measuring range:	10 N
Measuring displacement:	< 0.25mm
Overload range:	100N
Resolution:	Analog
Accuracy:	approx. +/- 0.5N
Lifetime:	1 million operations

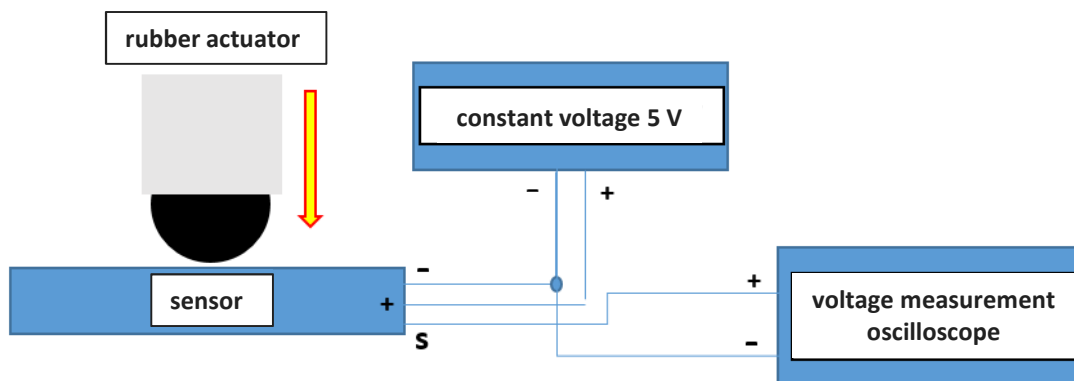
**Information sheet**

**SensoForce Typ-A**

**Force / voltage characteristic curve**



**Pin assignment and operation of the sensor**



## Information sheet

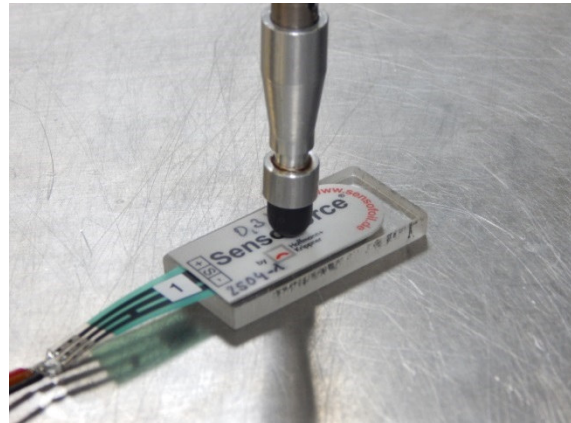
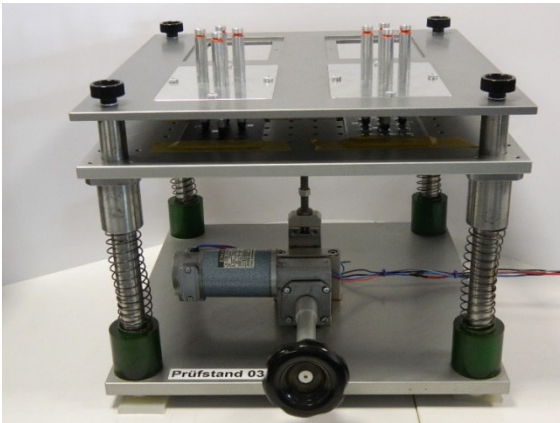
# SensoForce Typ-A

### Lifetime test:

The sensor is operated cyclically with a spring-loaded rubber actuator.

The actuation frequency is approx. 1Hz.

The test setup:



### Test results after 1 million operations:

The characteristic curve shows only minor changes.

### Dimensions:

